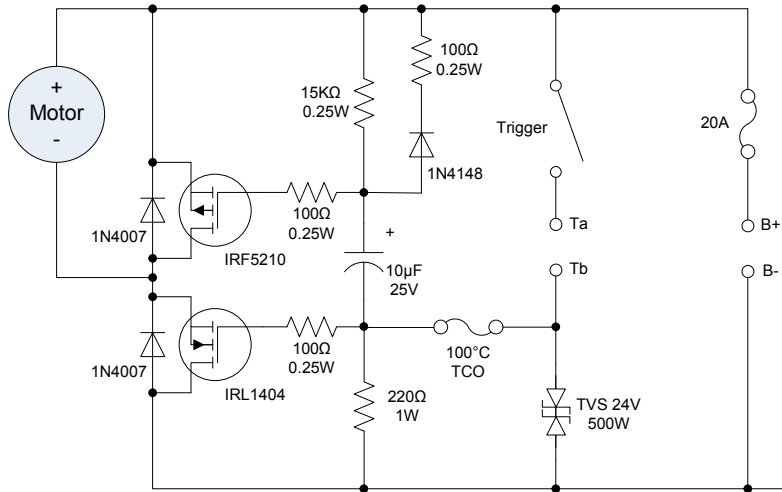
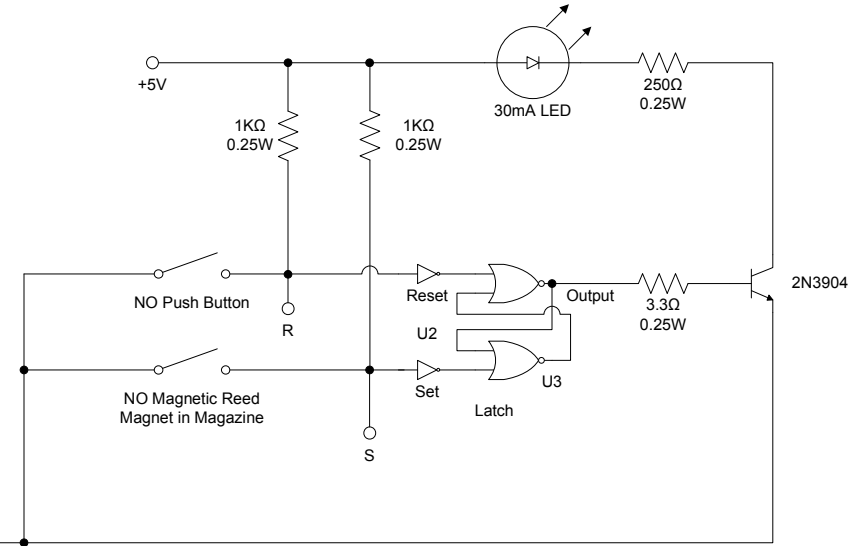


Tokyo Marui P90 Full Electronics Upgrade Package by Kevin Stewart

MOSFET AEG Trigger Control



Low Ammo and Error Indicator

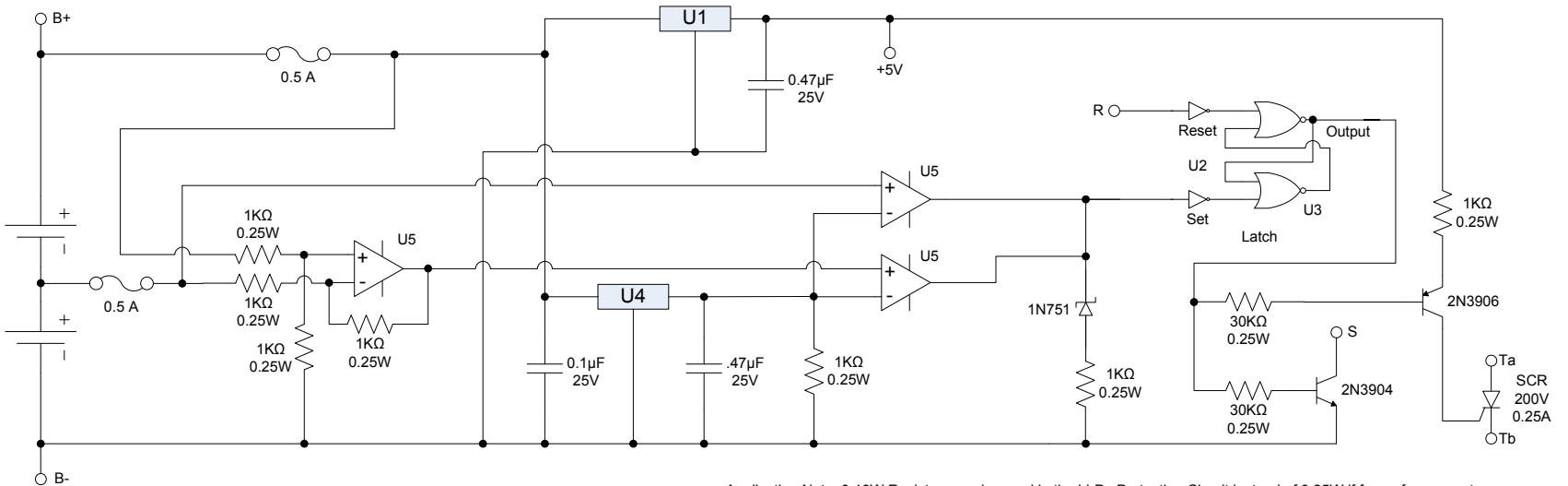


Notes:
 U1 = 5V Linear Voltage Regulator
 U2 = SR NOT NOR Latch
 U3 = SR NOT NOR Latch
 U4 = 3V Linear Voltage Regulator
 U5 = General Purpose Op Amp

Indication:
 LED ON = Low Ammo or Li-Po Protection
 Circuit Active (Low Cell Voltage)
 LED OFF = Ammo OK, Li-Po Cells OK

Reset NO Pushbutton Attempts to Clear Both
 Low Ammo and Li-Po Protection Circuit

2 Cell Lithium Polymer Battery Protection Circuit



Application Note: 0.10W Resistors can be used in the Li-Po Protection Circuit instead of 0.25W if for surface mount.