



Compact External Mount with 1/2" Taper Thread RSF80

The RSF80 series is designed for external mounting, achieved with a 1/2" NPT taper thread. This avoids the need for access to the inside of the chamber and is ideally suited to applications where space or fitting time are prime considerations.

They are manufactured in a variety of materials to suit most commonly used liquids.

The switch action may be reversed by rotating the device through 180°. Typical applications are Diesel level for Generators, Hydraulic Oil and Gearbox Oil Level.

- External mount
- Quick to install
- Available in Nylon, Polypropylene or PPS
- Ideal for tanks with inaccessible tops or bottoms
- WRAS approval
- Many variants are UL recognised components file number E171218

Technical specifications	RSF83	RSF84	RSF86
Material	Nylon	Polypropylene	PPS
Colour	Black	Opaque	Grey
Temp. Range °C	-20 / +75	-20 / +100	-10 / +120*
°F	-4 / +167	-4 / +212	+14 / +248*
Min. Fluid S.G.	0.85	0.85	0.85
Must close (S.G.=1)	7mm	8mm	9mm
Must open (S.G.=1)	20mm	20mm	24mm

* Maximum temperature requires ETFE cable to be specified.

Electrical specifications	
Contact Form	N/O (N/C)
Switching Power Max. VA	25
Switching Voltage AC Max.	240
Switching Voltage DC Max.	120
Switching Current Max. A	0.6

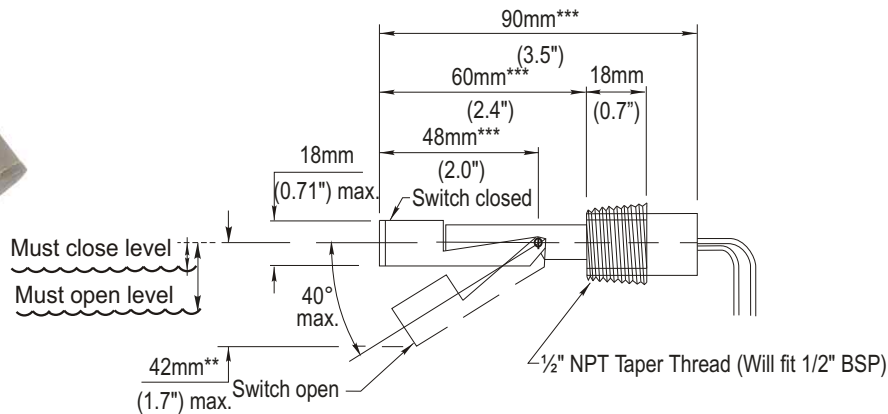
All ratings are for resistive load only

Standard Parts	Material	Leadouts
RSF83Y100R	Nylon	1.0m PVC 16/0.2 UL approved
RSF84Y100R	Polypropylene	1.0m PVC 16/0.2 UL approved
RSF86Y100R	PPS	1.0m PVC 16/0.2 UL approved

Custom versions can be made for particular applications. Please contact Crydom with your requirements.



Outline dimensions



** 49mmRSF86

*** Add 10mm to dims, RSF86

